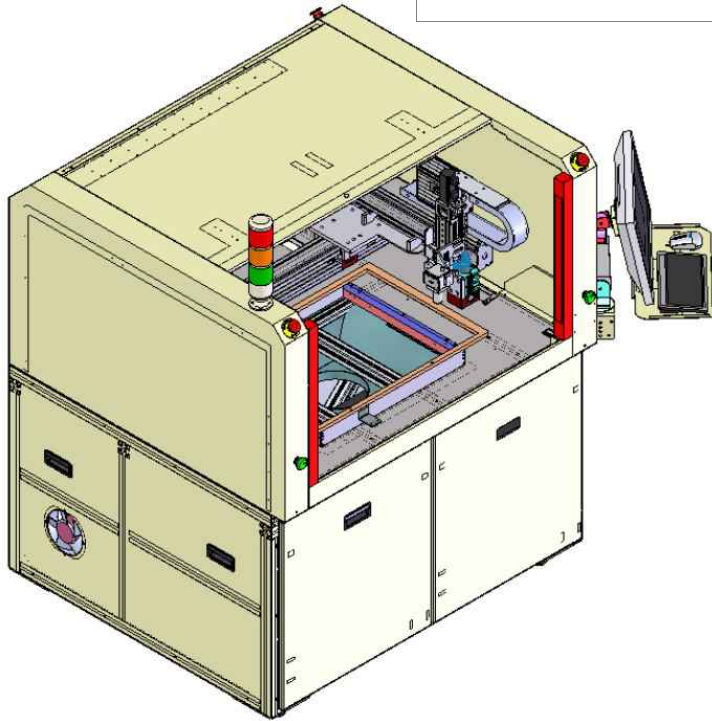




ESR1380E Semi Auto Router



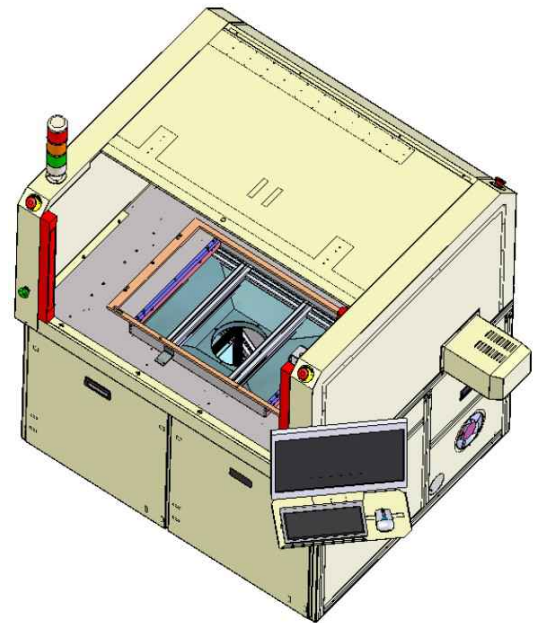
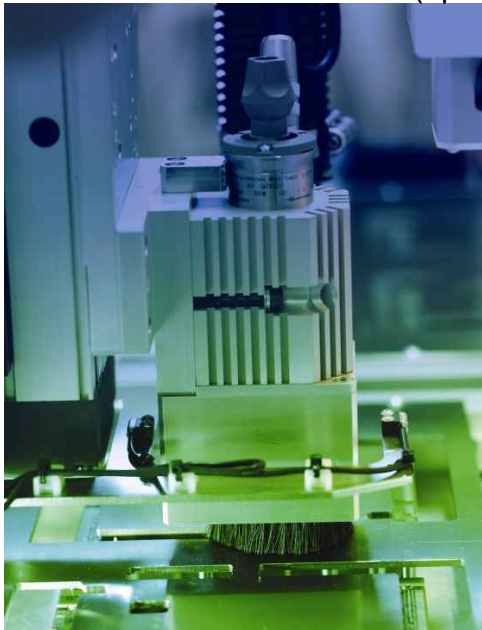
Getech 1380E Semi-Automatic Router Machine is a stand alone router machine specially designed to cut (de-panelize) printed circuit board assemblies (PCBA) into individual assemblies.

The ESR1380E utilizes the bottom vacuum dust extraction system during PCB routing.

Single workstation with the larger table configuration accommodates almost all of your PCB sizes.

FEATURES:

- Extremely high routing speeds up to 100 mm/sec
- Positioning speeds up to 800 mm/sec
- Large panel size up to 800 mm x 480 mm
- Vision assisted jog and teach facility for cutting tool paths
- Bottom vacuum dust extraction system
- Dedicated or Universal Fixture (optional)



SPECIFICATIONS

Routing capability

Non routing speed	: 1000 mm/sec
Repeatability	: +/- 0.1 mm
Routing Speed	: 100 mm/sec max

Manipulator

Configuration	: X, Y & Z
Manipulator Motors	: 3 axis AC brushless servo motors
Manipulator Repeatability	: ±0.02mm

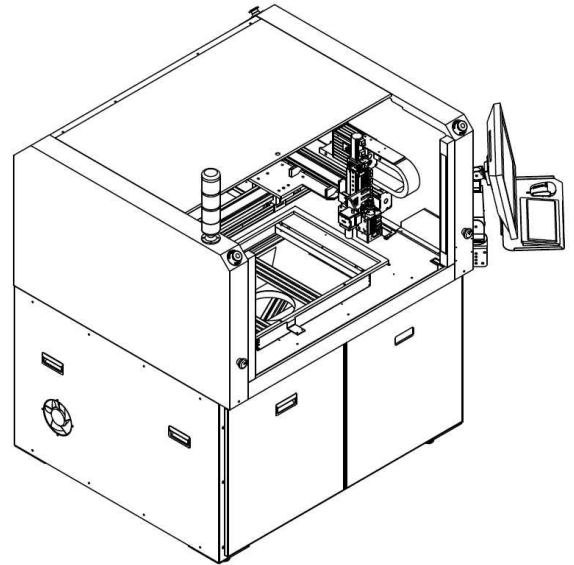


Workstation

- Board Positioning : Single workstation with dedicated gripper or modular fixture
- Panel Location : Located by tooling holes or edges of PCB. No top clamp
- Loading : Manual Loading
- Unloading : Manual Unloading
- Panel Size (mm) : 800 x 480
- Panel Thickness : 0.4 mm – 3.0 mm

Spindle System

- Spindle motor : 0.15kW spindle with ESD Ceramic bearings
- Max. Speed : 50,000 rpm
- Tool Change : Manual tool change
- Cooling : Ambient Cooled
- Router Bit : Shank size 3.175 mm (1/8")



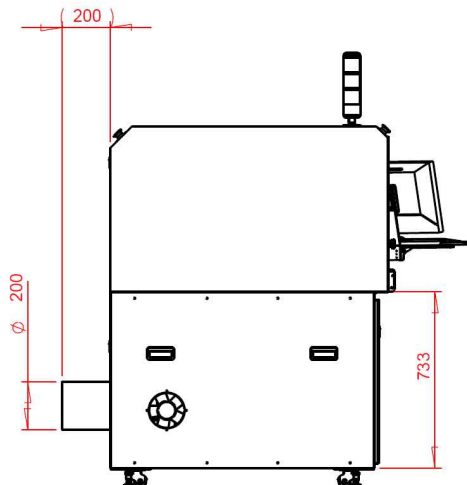
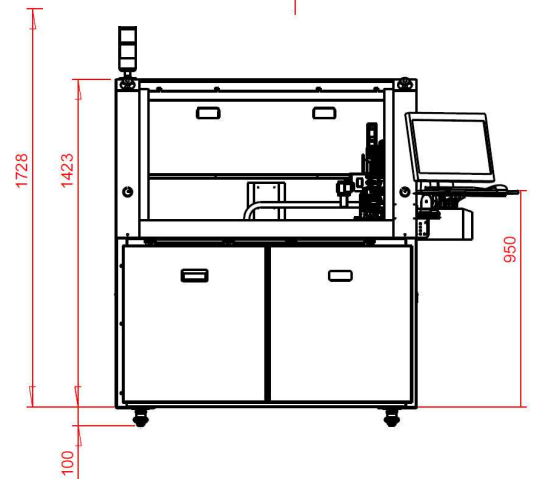
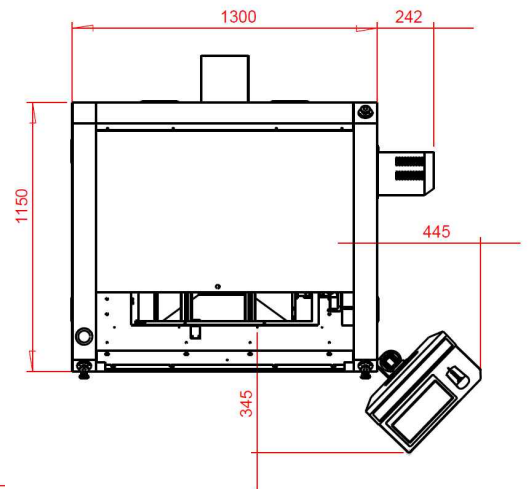
Dust filtration system (options available)

Vision system

- Video camera : High resolution CCD video camera,

MACHINE DIMENSIONS & UTILITIES

- Machine size : 1.30 M (L) x 1.15 M (W) x 1.50M
- Weight : 520 kg (approx.)
- Power Supply : (options available)



ISO 9001:2008 CERT NO.: 622220

Local Agent: