



ESR1280E Semi Auto Router



Getech 1280E Semi-Automatic Router Machine is a stand alone router machine specially designed to cut (de-panelize) printed circuit board assemblies (PCBA) into individual assemblies (PCBs).

The ESR1280E utilizes the top vacuum dust extraction system during PCB routing.

Single workstation with the larger table configuration accommodates almost all of your PCB sizes.

FEATURES:

- Extremely high routing speeds up to 100 mm/sec
- Positioning speeds up to 800 mm/sec
- Large panel size up to 800 mm x 500 mm
- Vision assisted jog and teach facility for cutting tool paths
- Top vacuum dust extraction system
- Dedicated or Universal Fixture (optional)

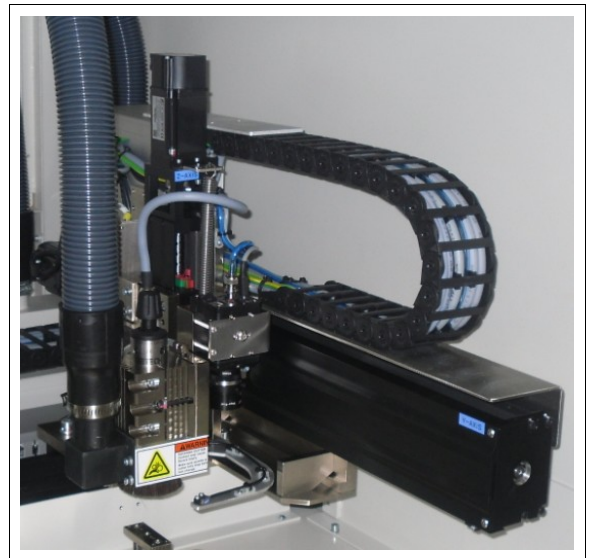
SPECIFICATIONS

Routing capability

Non routing speed : 1000 mm/sec
 Repeatability : +/- 0.1 mm
 Routing Speed : 100 mm/sec max

Manipulator

Configuration : X, Y & Z
 Manipulator Motors : 3 axis AC brushless servo motors
 Manipulator Repeatability : ±0.02mm



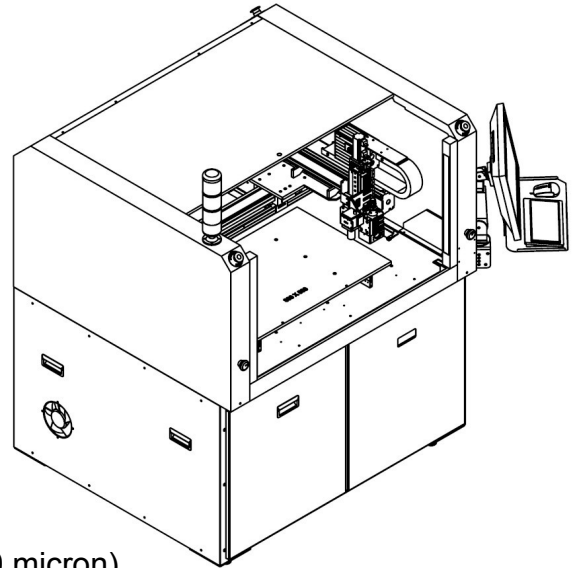


Workstation

- Board Positioning : Single workstation with dedicated gripper or modular fixture
- Panel Location : Located by tooling holes or edges of PCB.
- Loading : Manual Loading
- Unloading : Manual Unloading
- Panel Size (mm) : 800 x 500
- Panel Thickness : 0.4 mm – 3.0 mm

Spindle System

- Spindle motor : 0.15kW spindle with ESD Ceramic bearings
- Max. Speed : 50,000 rpm
- Tool Change : Manual tool change
- Cooling : Ambient Cooled
- Router Bit : Shank size 3.175 mm (1/8")



Dust filtration system

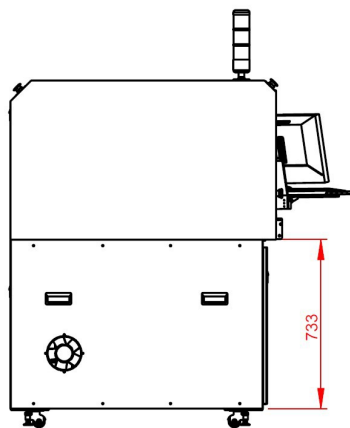
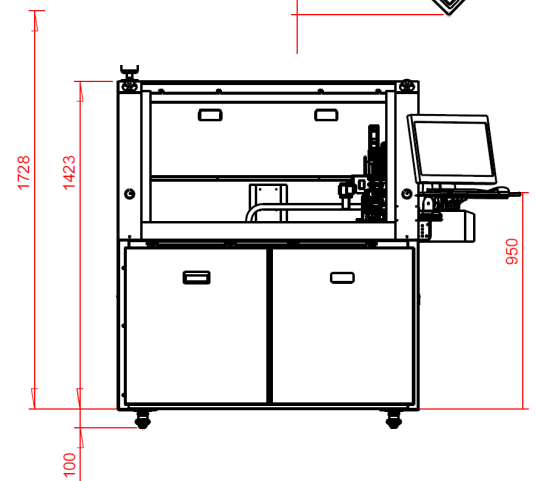
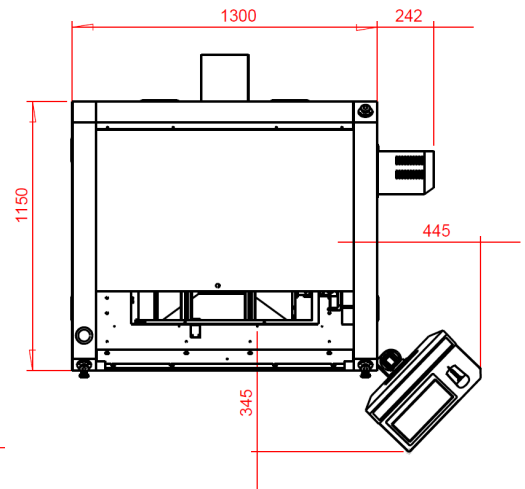
- Power : 3.0 kW rotary vane
- Filtration : 3 stage filter with disposable filter bag (10 micron)

Vision system

- Video camera : High resolution CCD video camera,
: PCB Fiducial capturing (Optional)

MACHINE DIMENSIONS & UTILITIES

- Machine size : 1.30 M (L) x 1.15 M (W) x 1.50M
- Weight : 400kg (approx.)
- Power Supply : (options available)



ISO 9001:2008 CERT NO.: 622220

Local Agent: